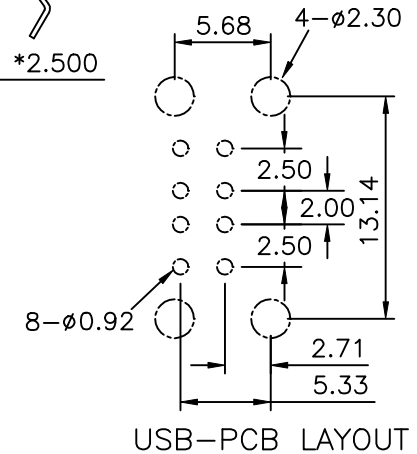
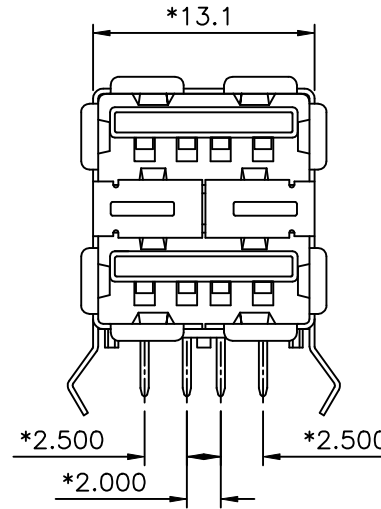
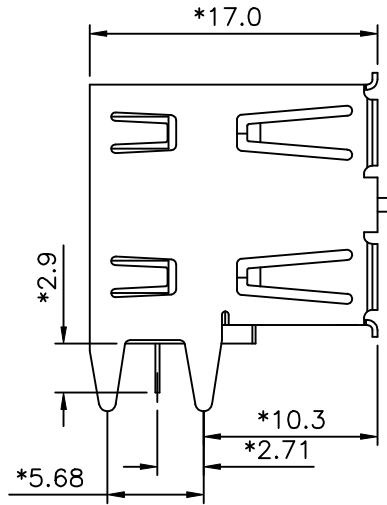
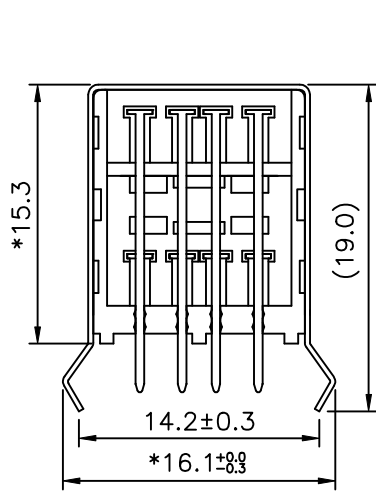
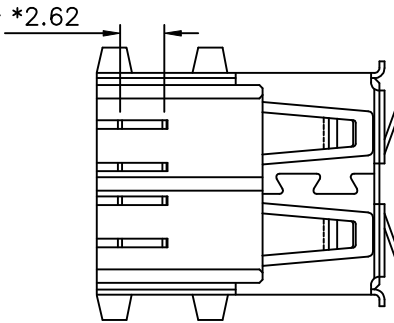


REVISION RECORD				
REV	ECO	DESCRIPTION	DRFT	CHKD



NOTES:

- MATERIAL:
 TERMINAL-C5191 PHOSPHOR BRONZE HARD. (t=0.25mm)
 SHIELD-(t=0.30mm)COPPER ALLOY OR PHOSPHOR BRONZE.
 HOUSING-PBT+ 30% G.F. UL94V-0/COLOR:WHITE & BLACK.
- PLATING:
 CONTACT-AREA-SELECTIVE PLATING. ON THE MATING END.
 TAILS-150u" TIN-LEAD MIN OVER 50u" NICKEL.
 SHIELD-120u" TIN-LEAD MIN OVER 50u" NICKEL.
 OR 100u"~120u" NI OVER 40u" Cu.
- TOLERANCE: ±0.3mm,±3'.
- GAP. 0.25mm (Max.)
- ELECTRICAL:
 VOLTAGE RATING: 30 VAC RMS.
 CURRENT RATING: 1.0 AMP
 CONTACT RESISTANCE: 30 MILLIOHMS MAX
 INSULATION RESISTANCE: 1000 MEGOHMS MIN @500 VDC
 DIELECTRIC STRENGTH: 750 VAC RMS 60 HZ, 1 MIN
 OPERATING LIFE: 1500 CYCLES MIN
 MATING FORCE: 3.5 KGS MAX
 UNMATING FORE: 1 KGS MIN
 STORAGE: -40° C TO +85° C
 OPERATION: 0° C TO 70° C
 CAPACITANCE: 2 PF MAX 1KHZ
 WAVE SOLDERING TEMPERATURE 230-250(3~5 SECONDS)
- Lead_FreeP/N: E8144-1XXX2X-L



Shield FS0803(Made in MaxTop)

- 0-COPPER ALLOY
- 1-PHOSPHOR BRONZE
- 1-Au3u"
- 3-Au15u"
- 5-Au50u"
- 2-Au6u"
- 4-Au30u"
- 7-Pd30u"
- 0-A06-0080-L(BLACK)
- 3-A06-0010-L(WHITE)
- 7-A06-2230-L(YELLOW)

- SHIELD TYPE:
- 1-NICKEL
 - 2-TIN LEAD
 - A-NICKEL (NO FRONT TAP)
 - B-TIN LEAD (NO FRONT TAP)

SHIELD TOOL:FS0803
 HS'G TOOL:FR2711

DETAILED LISTS	MM (INCH)	DFTO Linger	DATE 3/28/05'
	TOLERANCES EXCEPT AS NOTED	CHKDSIX	DATE2005/3/30
		MFO	DATE
		APPVLPETER	DATE2005/3/30
	MM		
	.0 ±0.20	±	
	.00 ±0.15	±	
	.000 ±0.075	±	
	ANGLES ±	QT'Y :	
	THIRD ANGLE PROJECTION	FINISH :	
		SCALE : 1:1	

FULL RISE ELECTRONIC CO., LTD	
TITLE USB A TYPE STACK	
DRAWING NO. GE813013_LC	SIZE A3
/PART NO. SEE NOTE	REV 0 3/28/05'
DO NOT SCALE DRAWING	SHEET 1 OF 1